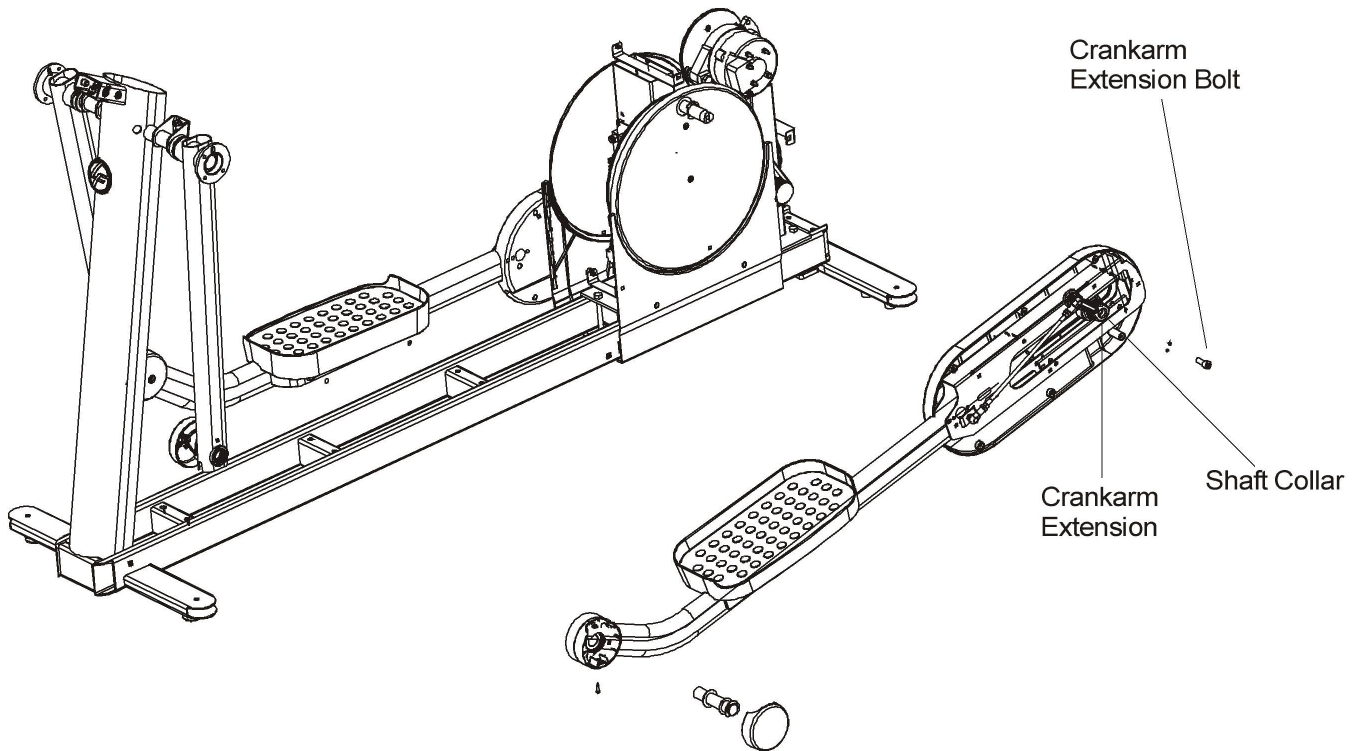


## Life Fitness Cross-Trainers 90X, 93X, 95Xe, and 95Xi How To... Replace the Pedal Lever Assembly

Special Service Tools Required: NONE

---



1. Remove the Main Shrouds. See "How To..." in this section.
2. Remove the Outer Link Cover. See "How To..." in this section.
3. Remove the Outer Lever Joint and Rocker Covers. See "How To..." in this section.
4. Remove the screws securing the Pedal/Rocker Shaft to the Pedal Arm.
5. Slide the Pedal/Rocker Shaft out of both the Pedal Lever Assembly and the Rocker Arm.
6. Remove the bolt securing the Crank Extension to the Crankarm.
7. Remove the set screws securing the Shaft Collar to the Crankarm.
8. Remove the Pedal Lever Assembly.
9. Install the new Pedal Lever Assembly in reverse order.

Note: Apply Loctite 242 to the Torx bolt securing the Crank Extension to the Crankarm.